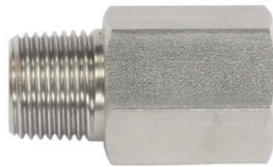


Accessories of Pressure Gauge

Model No. SS-SB Snubber Series



Snubber

Summary

Those accessories' performance and lifespan are dependent on selection of the gauge, correct installation and using method. Therefore, before installing a pressure gauge, it is important to select a proper accessory for purpose of use. Snubber is used for a filter or a shock absorber because it includes a breathable metal disc.

It can suppress the effect of pressure pulsation, and due to its appearance of big filter, there is less blockage than orifice type, and it can filter tetrachloride, benzene and naphtha.

Purpose of Use

- Filter for water and oil
- Recycle industrial waste water

Production Specification

- ▶ Materials
 - Brass
 - Stainless Steel
- ▶ Connection

Material	Gauge	Pipe
BS STS	PF 1/4	PF 1/4
	PF 3/8	PF 3/8
	PF 1/2	PF 1/2

- ▶ Test Pressure
 - 30 MPa
- ▶ Maximum Working Pressure
 - 20 MPa
- ▶ Maximum Working Temperature
 - 200 °C

Product Specification

- + Joint-Outlet
 - Brass · · · YBSC
 - Steel · · · STS 316

- + Stopper
 - Brass · · · YBSC
 - Steel · · · STS 316

- + Gasket-Outlet
 - Brass · · · CuB
 - Steel · · · STS 316

- + Joint-Inlet
 - Brass · · · SS41 (Ni-plating)
 - Steel · · · STS 316

- + Gasket-Inlet
 - Brass, Steel · · · Valqua 1500

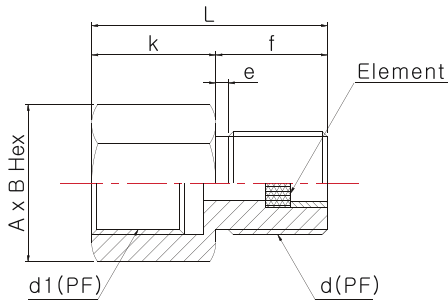
- + Ring
 - Brass, Steel · · · STS 304

- + Nut
 - Brass, Steel · · · SS41 (Ni-plating)

- + Type
 - PF(Male) x PF(Male)
 - PF(Male) x PT(Female)
 - PT(Female) x PF(Male)
 - PT(Female) x PT(Female)

Model No. | SS-SB01 Snubber (PF x PF)

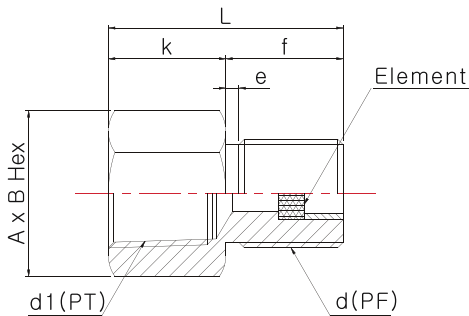
Dimensions (mm)



Model No.	Con'n(d1)	Con'n(d)	AxB Hex	k	f	L	e
Snubber (PFxPF)	PF 1/4	PF 1/4	19 x 21,9	18	16	34	2
	PF 1/4	PF 3/8	19 x 21,9	18	18	36	2
	PF 1/4	PF 1/2	22 x 25,4	18	20	38	2
	PF 3/8	PF 1/4	22 x 25,4	20	16	36	2
	PF 3/8	PF 3/8	22 x 25,4	20	18	38	2
	PF 3/8	PF 1/2	22 x 25,4	20	20	40	2
	PF 1/2	PF 1/4	27 x 31,1	22	16	38	2
	PF 1/2	PF 3/8	27 x 31,1	22	18	40	2
PF 1/2	PF 1/2	27 x 31,1	22	20	42	2	

Model No. | SS-SB02 Snubber (PT x PF)

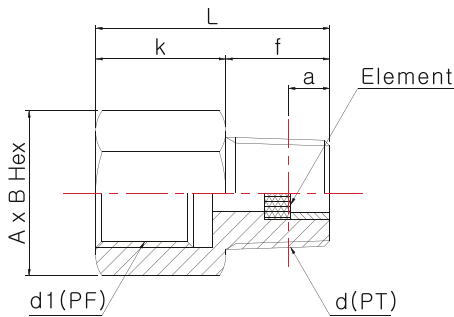
Dimensions (mm)



Model No.	Con'n(d1)	Con'n(d)	AxB Hex	k	f	L	a
Snubber (PTxPF)	PT 1/4	PF 1/4	19 x 21,9	18	14	32	6,01
	PT 1/4	PF 3/8	19 x 21,9	18	16	34	6,35
	PT 1/4	PF 1/2	22 x 25,4	18	18	36	8,16
	PT 3/8	PF 1/4	22 x 25,4	20	14	34	6,01
	PT 3/8	PF 3/8	22 x 25,4	20	16	36	6,35
	PT 3/8	PF 1/2	22 x 25,4	20	18	36	8,16
	PT 1/2	PF 1/4	27 x 31,1	22	14	36	6,01
	PT 1/2	PF 3/8	27 x 31,1	22	16	38	6,35
PT 1/2	PF 1/2	27 x 31,1	22	18	40	8,16	

Model No. | SS-SB03 Snubber (PF x PT)

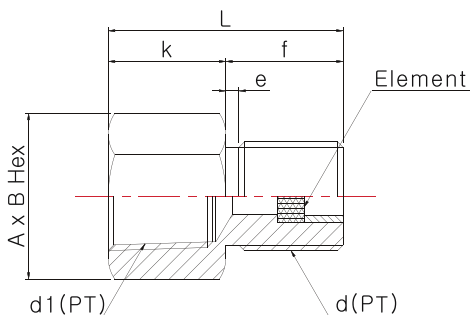
Dimensions (mm)



Model No.	Con'n(d1)	Con'n(d)	AxB Hex	k	f	L	e
Snubber (PFxPT)	PF 1/4	PT 1/4	19 x 21,9	16	16	32	2
	PF 1/4	PT 3/8	19 x 21,9	16	16	34	2
	PF 1/4	PT 1/2	22 x 25,4	16	16	36	2
	PF 3/8	PT 1/4	22 x 25,4	18	18	34	2
	PF 3/8	PT 3/8	22 x 25,4	18	18	36	2
	PF 3/8	PT 1/2	22 x 25,4	18	18	38	2
	PF 1/2	PT 1/4	27 x 31,1	20	20	36	2
	PF 1/2	PT 3/8	27 x 31,1	20	20	38	2
	PF 1/2	PT 1/2	27 x 31,1	20	20	40	2

Model No. | SS-SB04 Snubber (PT x PT)

Dimensions (mm)



Model No.	Con'n(d1)	Con'n(d)	AxB Hex	k	f	L	e
Snubber (PTxPT)	PT 1/4	PT1/4	19 x 21,9	16	14	30	6,01
	PT 1/4	PT3/8	19 x 21,9	16	16	32	6,35
	PT 1/4	PT1/2	22 x 25,4	16	18	34	8,16
	PT 3/8	PT1/4	22 x 25,4	18	18	32	6,01
	PT 3/8	PT3/8	22 x 25,4	18	18	34	6,35
	PT 3/8	PT1/2	22 x 25,4	18	18	36	8,16
	PT 1/2	PT1/4	27 x 31,1	20	20	34	6,01
	PT 1/2	PT3/8	27 x 31,1	20	20	36	6,35
	PT 1/2	PT1/2	27 x 31,1	20	20	38	8,16